



ALU-GARD

ALUMINIUM SECURITY SCREENS

STRENGTH, SECURITY AND DURABILITY
WITH EXCELLENT DIRECT CLARITY OF VISION.



1300 ALSPEC (257732)
alspec.com.au

alspec
ALUMINIUM SYSTEMS
SPECIALISTS

Alspec's Alu-Gard®

The All-Aluminium security screening solution for Australian conditions. Alu-Gard is a perforated aluminium sheet retained in an extruded aluminium frame.

Alu-Gard not only provides security, clarity of vision and strength, it is also corrosion resistant and looks great.

Key Features

- Tested and passed Australian Standards.
- Choice of retention systems.
- Manufactured in Australia.
- Part of a wide range of security and screening solutions.

Alu-Gard Design

Alu-Gard utilises a strong (1.6mm thick) aluminium sheet that is perforated and powder coated in Australia to standards. The sheet is retained in a frame with riveted aluminium infill retention system. The resulting screen is strong, extremely resistant to corrosion and provides excellent direct clarity of vision.

The Complete Range

Alspec now offers the complete range of screening systems from our top of the range Invisi-Gard® 316 Stainless Steel Security Screens, through to Alu-Gard®, Federation® Cast Panels, Alu-Grille® Diamond Grilles, Vision-Gard™ one way vision security screen, fibreglass and aluminium insect screen and all the associated accessories. For a history of great service and quality built products when considering an aluminium screen door system, there's only one place that has all the solutions - Alspec.

Choice of Stylish Colours

With Alu-Gard products, matching the colour to existing door and window frames is not a problem. A full range of powder coated colours along with anodised finishes or decorative imaging are readily available from your Alu-Gard dealer.



Custom Built

All Alu-Gard products are custom built, made to measure to suit your exact requirements.




Alu-Gard Security Screens are suitable for a wide range of residential and commercial applications including the following:

- Hinged Doors
- Sliding Doors
- Security Window Screens
- Balustrade
- Fencing

Tested Performance


Security

Australian Standard AS5041 – 2003 Methods of Test – Security Screen Doors and Window Grilles

 Knife Shear Test	✓
 Dynamic Impact Test	✓
 JemmyTest	✓


Child Fall Prevention

Australian Standard AS5203 – 2016 Protection of Openable Windows/Fall Prevention – Test Sequence & Compliance Method

 Resist 250N Outward Force	✓
---	---

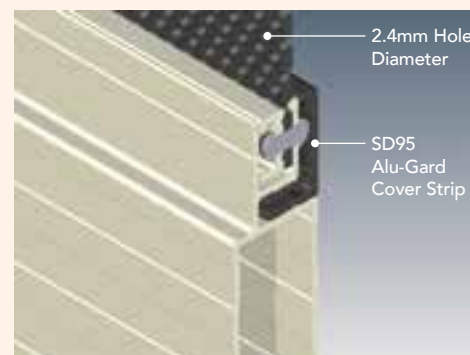
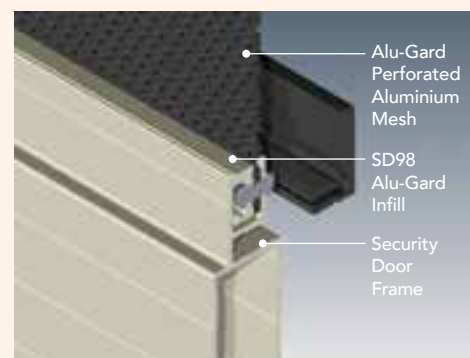
Fire Attenuation

Australian Standard AS1530.4-2014 Appendix B7

 Achieves a fire attenuation rating of up to 56% at 40kW/m ² incident energy	✓
--	---

Technical Specifications

Material Grade	5005 H34
Thickness	1.6mm
Hole Diameter	2.4mm
Paint	Dulux Black Matt
% Open Area	40%



1300 ALSPEC (257732)

alspec.com.au



ALU-GARDEGE

ALUMINIUM SECURITY SCREENS

STRENGTH, SECURITY AND DURABILITY
WITH EXCELLENT DIRECT CLARITY OF VISION.



1300 ALSPEC (257732)
alspec.com.au

alspec
ALUMINIUM SYSTEMS
SPECIALISTS

Alspec's Alu-Gard® Edge

Alu-Gard Edge is the latest addition to the Alu-Gard range, the All-Aluminium security screening solution for Australian conditions. Edge is a PVC pressure retention system that retains the Alu-Gard perforated aluminium sheet in an extruded aluminium frame.

Alu-Gard Edge not only provides security, clarity of vision and strength, it is also corrosion resistant and looks great.

Key Features

- Tested and passed Australian Standards.
- Choice of retention systems.
- Manufactured in Australia.
- Part of a wide range of security and screening solutions.

Alu-Gard Edge Design

Alu-Gard Edge utilises a strong (1.6mm thick) aluminium sheet that is perforated and powder coated in Australia to standards. The sheet is retained in a frame with bespoke PVC pressure retention system. The resulting screen is strong, extremely resistant to corrosion and provides excellent direct clarity of vision.

The Complete Range

Alspec now offers the complete range of screening systems from our top of the range Invisi-Gard® 316 Stainless Steel Security Screens, through to Alu-Gard®, Federation® Cast Panels, Alu-Grille® Diamond Grilles, Vision-Gard™ one way vision security screen, fibreglass and aluminium insect screen and all the associated accessories. For a history of great service and quality built products when considering an aluminium screen door system, there's only one place that has all the solutions - Alspec.

Choice of Stylish Colours

With Alu-Gard products, matching the colour to existing door and window frames is not a problem. A full range of powder coated colours along with anodised finishes or decorative imaging are readily available from your Alu-Gard dealer.



Custom Built

All Alu-Gard products are custom built, made to measure to suit your exact requirements.




Alu-Gard Edge Security Screens are suitable for a wide range of residential and commercial applications including the following:

- Hinged Doors
- Sliding Doors
- Security Window Screens
- Balustrade
- Fencing

Tested Performance


Security

Australian Standard AS5041 – 2003 Methods of Test – Security Screen Doors and Window Grilles

	Knife Shear Test	✓
	Dynamic Impact Test	✓
	Jemmy Test	✓

Child Fall Prevention

Australian Standard AS5203 – 2016 Protection of Openable Windows/Fall Prevention – Test Sequence & Compliance Method

	Resist 250N Outward Force	✓
---	---------------------------	---

Technical Specifications

Material Grade	5005 H34
Thickness	1.6mm
Hole Diameter	2.4mm
Paint	Dulux Black Matt
% Open Area	40%

